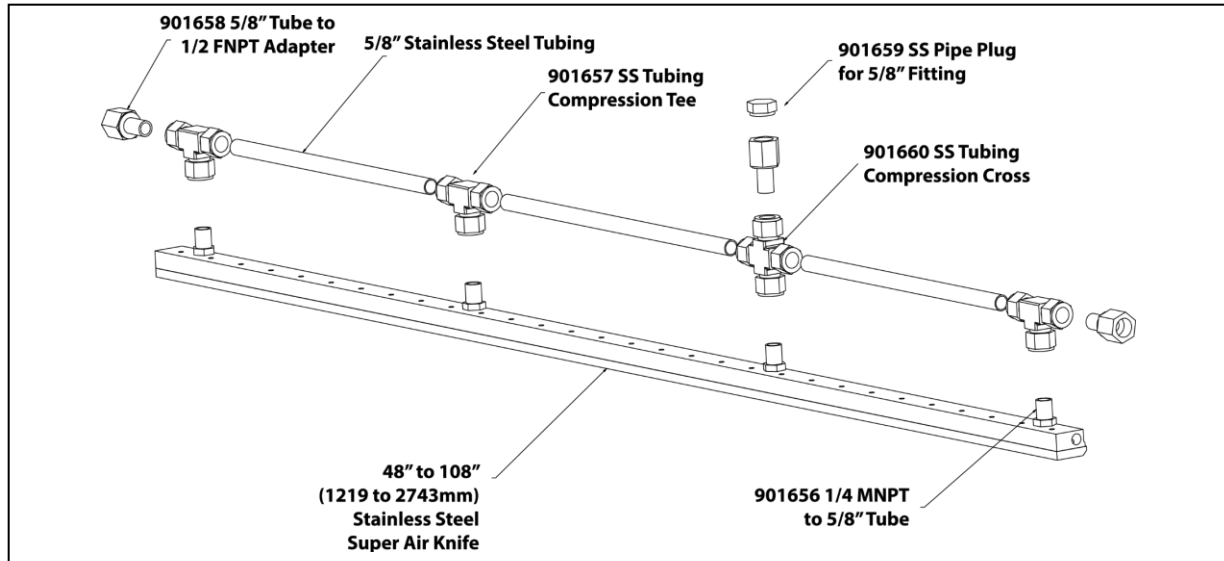


48 TO 108 INCH STAINLESS STEEL SUPER AIR KNIFE PLUMBING KITS INSTALLATION & MAINTENANCE

The Stainless Steel Super Air Knife Plumbing Kits are used to interconnect the compressed air inlets on the bottom of any single Stainless Steel Super Air Knife that has a length of 48" to 108". The components of these kits have been sized appropriately to obtain best performance from the Stainless Steel Super Air Knife (maintain uniform airflow across the entire length). Tools Required: 1", 15/16" and 11/16" wrenches.



Pipe thread sealant should be applied to 901656 inlet threads (small packet included). Avoid getting the sealant on the inside diameter of the fitting so it does not enter into the Super Air Knife.

STEP 1 – Install Model 901656 ¼ NPT x 5/8" tube adapters into the compressed air inlets on the bottom of the Stainless Steel Super Air Knife. Tighten using 11/16" wrench.

STEP 2 – Loosen but don't remove the hex fittings on each Model 901657 5/8" tee and Model 901660 5/8" cross (if included). Assemble the tees, tubes, and crosses in the correct order listed below, from left to right of the air knife with the air outlet facing away from you. Do not tighten the hex fittings at this time.

St. St. Super Air Knife Length	Plumbing Kit P/N	Order of Fittings
48"	9244	Tee, 20-13/16" Tube, Tee, 20-13/16" Tube, Tee
54"	9245	Tee, 22-13/16" Tube, Tee, 24-13/16" Tube, Tee
60"	9246	Tee, 16-13/16" Tube, Tee, 18-13/16" Tube, Cross, 16-13/16" Tube, Tee
72"	9247	Tee, 14-13/16" Tube, Tee, 16-13/16" Tube, Cross, 16-13/16" Tube, Tee, 14-13/16" Tube, Tee
84"	9248	Tee, 14-13/16" Tube, Tee, 14-13/16" Tube, Tee, 14-13/16" Tube, Cross, 14-13/16" Tube, Tee, 14-13/16" Tube, Tee
96"	9249	Tee, 12-13/16" Tube, Tee, 14-13/16" Tube, Tee, 14-13/16" Tube, Cross, 14-13/16" Tube, Tee, 14-13/16" Tube, Tee
108"	9250	Tee, 14-13/16" Tube, Tee, 16-13/16" Tube, Tee, 16-13/16" Tube, Cross, 16-13/16" Tube, Tee, 16-13/16" Tube, Tee, 14-13/16" Tube, Tee

STEP 3 – Install the tube, tee and cross assembly from STEP 2 onto the Model 901656s from STEP 1.

STEP 4 – Install Model 901658 ½ NPT x 5/8" tube adapters into the remaining open hex fittings. Model 901659 pipe plug is included as an option to eliminate one Model 901658 if necessary.

STEP 5 –While holding the Model 901657 and Model 901660 bodies steady with a 15/16" wrench, tighten all 1" hex fittings one 1/4 turn past finger-tight. Your Super Air Knife is now ready for installation.

If you have any questions or problems, please contact:

EPUTEC Drucklufttechnik GmbH

Haidenbucherstr. 1

86916 Kaufering

Phone: +49 8191 91 51 19 0

Fax: +49 8191 91 51 19 91

Email: info@eputec.de

Website: www.eputec.de

